

ERGO 4

New Hose Balancer keeps air tools up out of the way



Hang your air powered tools directly from the hose with the ERGO 4 hose balancer. It suspends the tool and supplies the air, reducing operator fatigue, improving workplace safety, and reducing tool breakage.

The balancer suspends the tool directly over the workstation. It easily adjusts to make the tool seem near-weightless when pulled down to the task at hand, then lifts it and the hose up out of way for stand-by or storage. At the desired height, the balanced tool won't drift up or down.

The ERGO 4 line supports tools up to 11 lbs on hoses up to 4.5 ft long.



Benefits:

- **Reduce injury:** Lessen expensive repetitive motion injuries from heavy tools. See "Selection Chart" for more
- **Reduce worker fatigue:** Adjusting the tool to virtually weightless supports worker precision and efficiency
- **Clean up workstation:** Lifting the tool out of the way provides easy access and keeps the air line from being a trip hazard
- **Save money on tools:** Tethering to the workstation prevents tool from getting dropped, broken, lost, or stolen, reducing replacements
- **Reduce air line replacements:** Extend air line life by eliminating damage from being dragged around, tripped on, or driven over



Reduce Injury



Reduce Fatigue

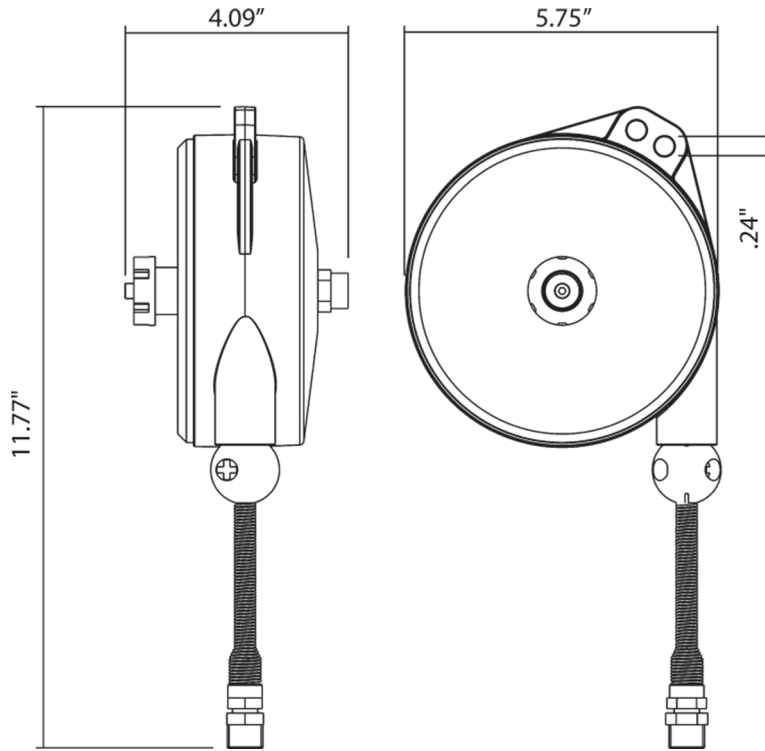


Clean Workstation

Experience the ERGO difference

- Drum design minimizes hose overlapping for smooth extending/recoiling
- Durable hose material maximizes performance
- Quality spring technology, field-proven on our cable tool balancers
- Rugged, lightweight aluminum case

Dimensional Drawings



Selection Chart

MIN - MAX LOAD		CABLE LENGTH		BALANCER WEIGHT		MODEL NUMBER
Lbs	(KG)	FT	M	Lbs	(KG)	
0.9-1.75	(0.4-0.8)	4.4	(1350)	2.75	(1.25)	BT-9200
1.6-3.3	(0.75-1.5)	4.4	(1350)	2.9	(1.3)	BT-9201
2.6- 5.5	(1.2-2.5)	4.4	(1350)	3	(1.35)	BT-9202
6.6-11	(3-5)	2.95	(900)	3.5	(1.6)	BT-9203



A proud member of the Hubbell family.

©2023 Gleason Reel Corp. All rights reserved.
 Hubbell name and logo are trademarks or registered trademarks of Hubbell Incorporated. Other trademarks are property of their respective owners.
 600 S. Clark Street, Mayville, WI 53050
www.hubbell.com/gleasonreel | (920) 387-4120

HHI-GR-ERGO-4-HOSE-BALANCER-SF-EN-2023-00785